

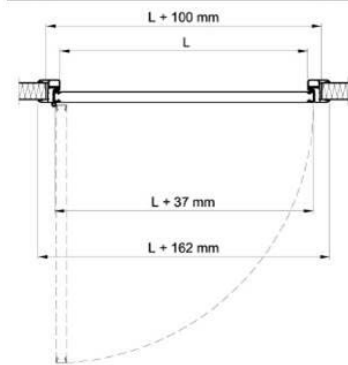
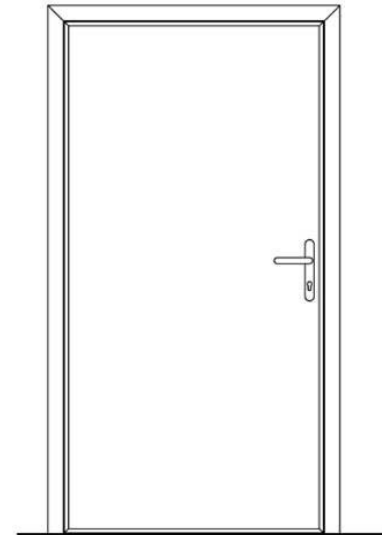
1. Remove perimeter gasket



2. Fix frame / counter frame with self-drilling screws



3. Assemble the perimeter gasket again



Left hand hinge

